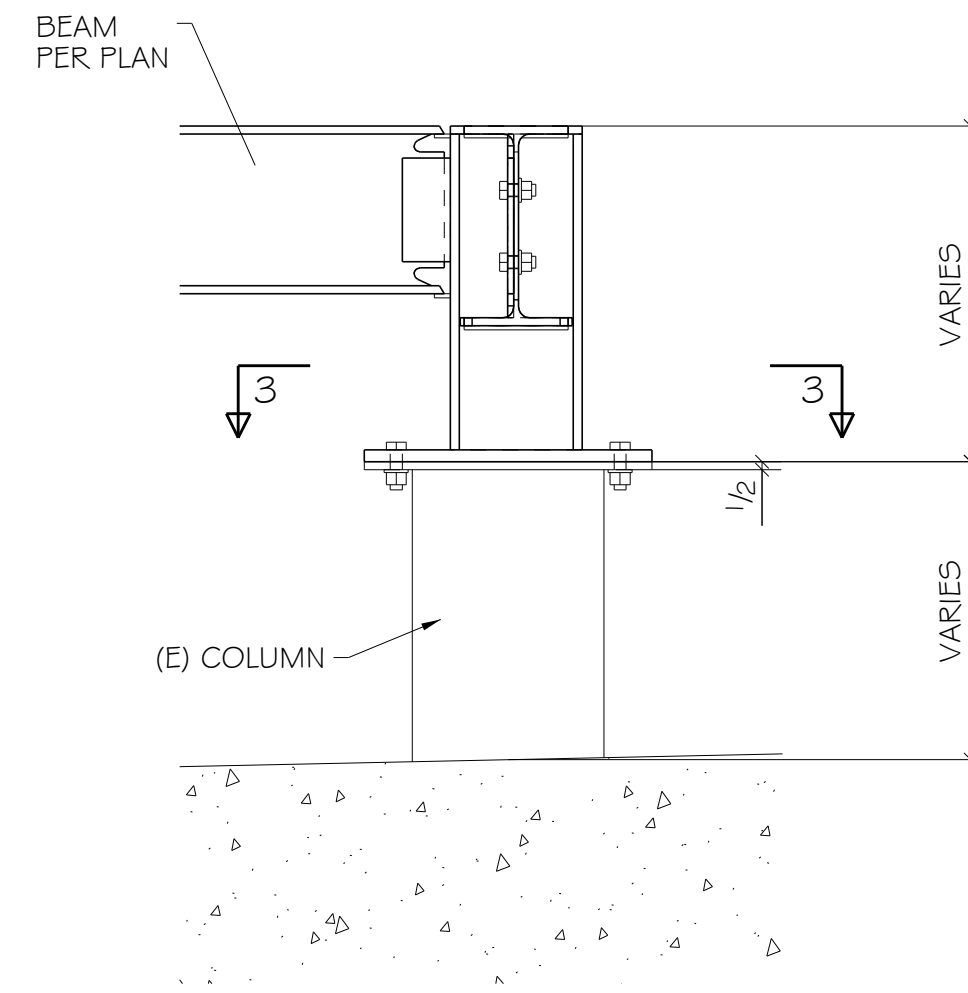
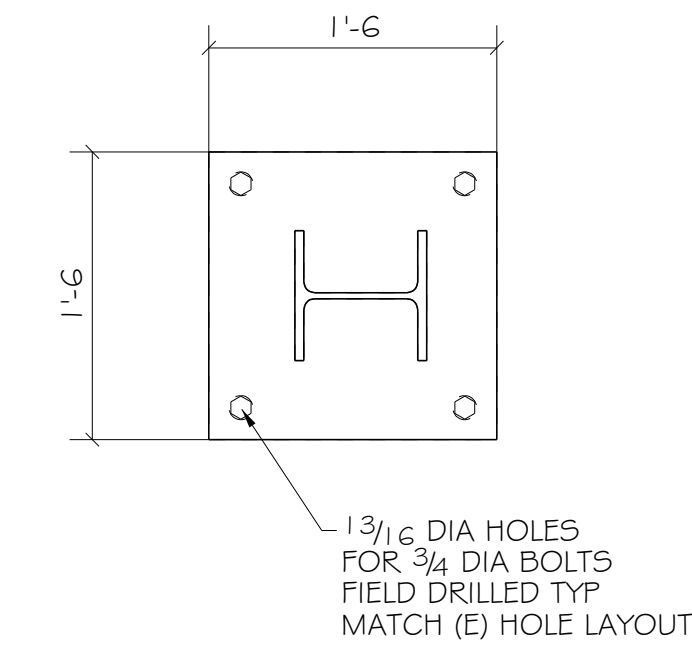


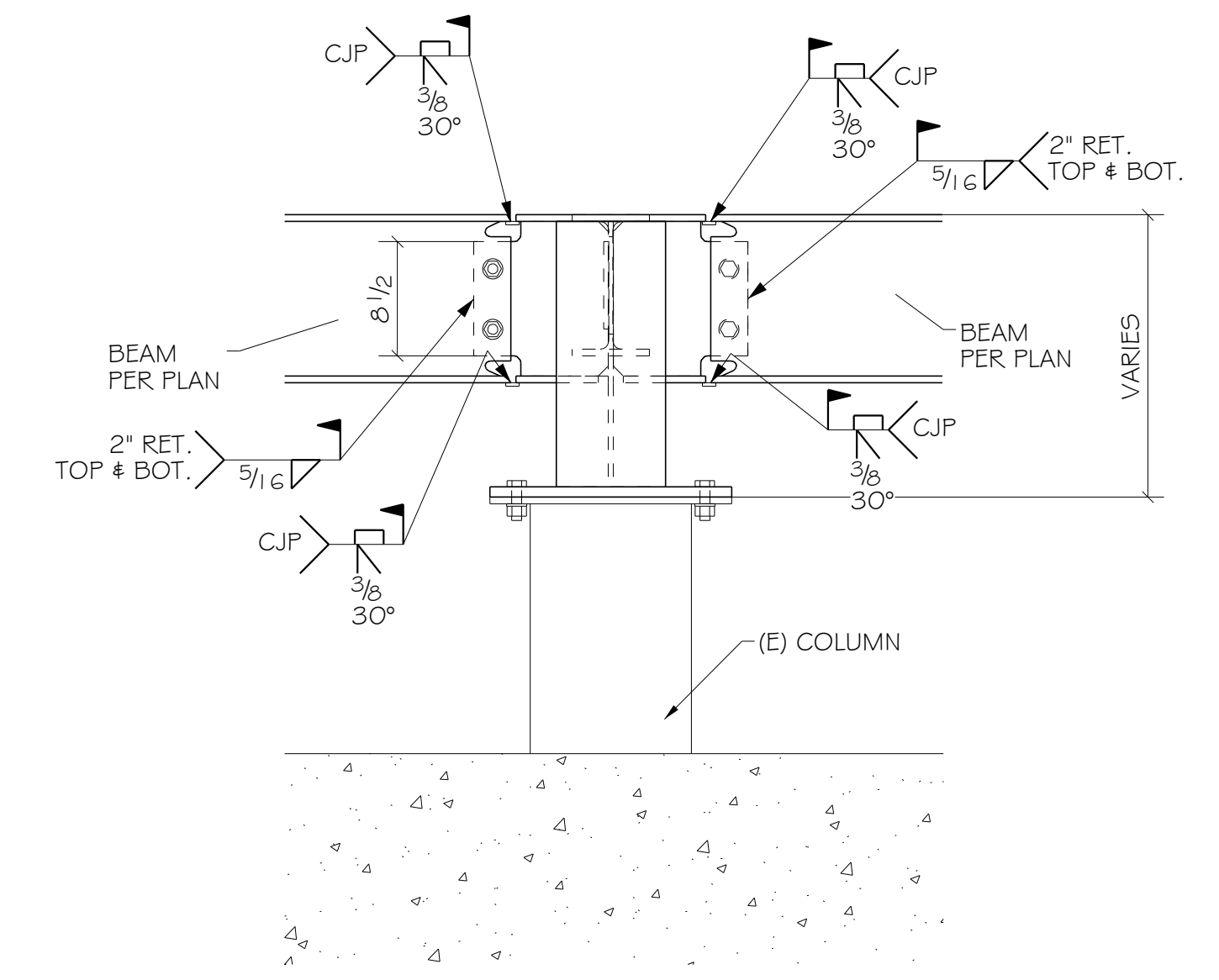
**AHU PLATFORM FRAMING PLAN**  
 REF: 1/5-131  
 ▶ INDICATES MOMENT CONNECTION



**1-1**  
 REF: 1/5501



**3-3**  
 REF: 4/5501



**2-2**  
 REF: 2/5501

0	05/15/2018	ISSUED FOR FIELD USE
B	04/27/2018	SUBMITTED FOR APPROVAL
A	04/25/2018	FOR REVIEW
REV.	DATE	DESCRIPTION

**L&M INDUSTRIAL FABRICATION**  
 31975 Rolland Drive  
 Tangent, OR 97389  
 541-752-0110  
 www.lmsteelfab.com

CUSTOMER:	SKANSKA
PROJECT:	TUALATIN BUILDING D LAB ADDITION

**AHU PLATFORM FRAMING PLAN**

DRAWN BY:	CHKD. BY:	JOB No.	SHEET No.	REV.
OK 04/18/2018	PB 04/18/2018	1366	E-1002	0