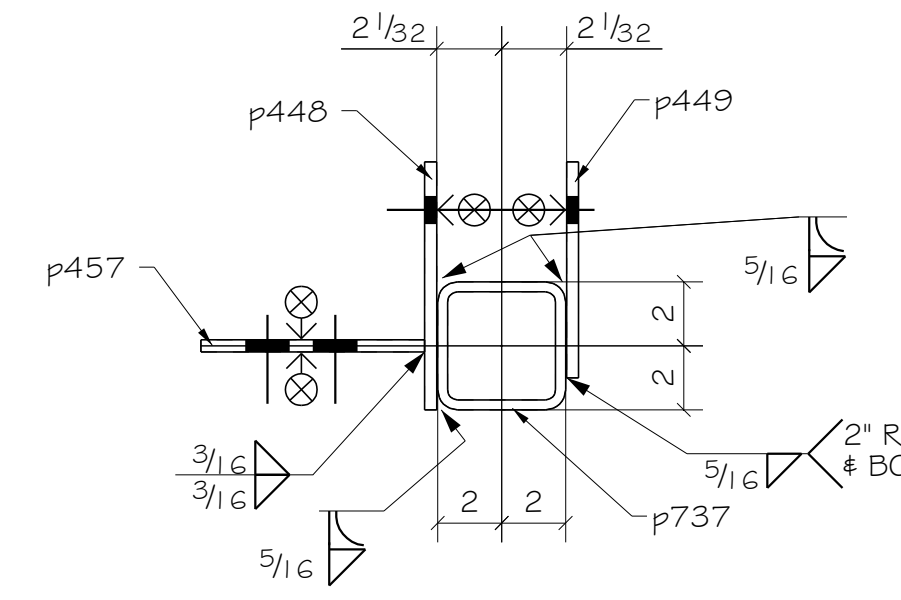
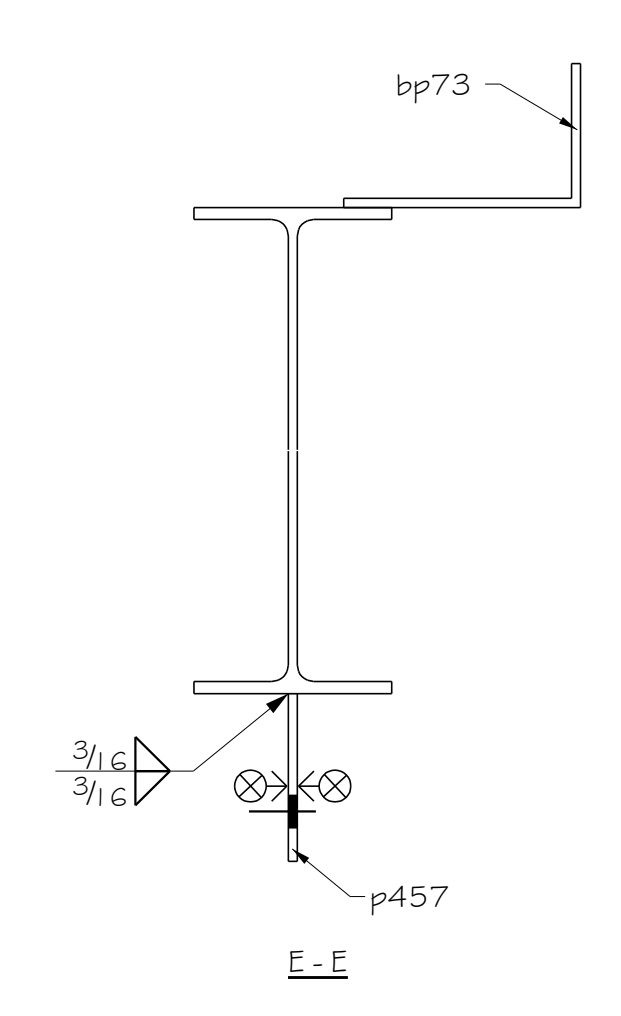
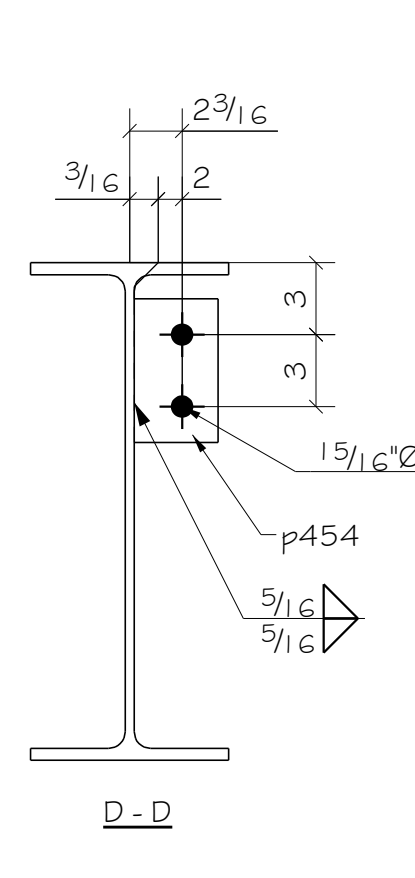
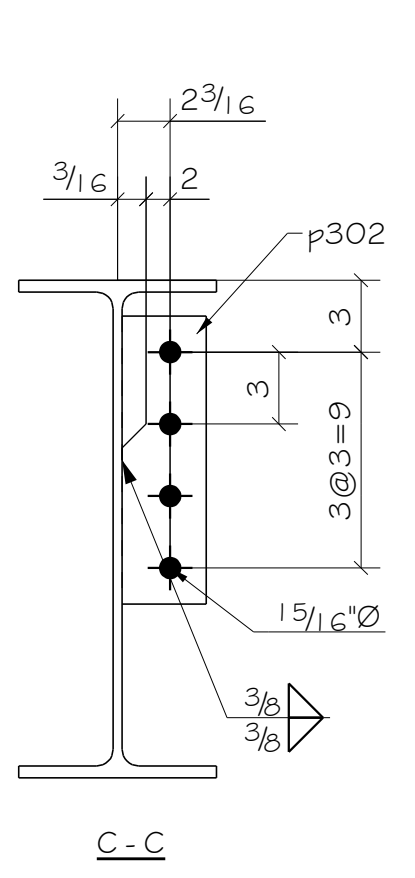
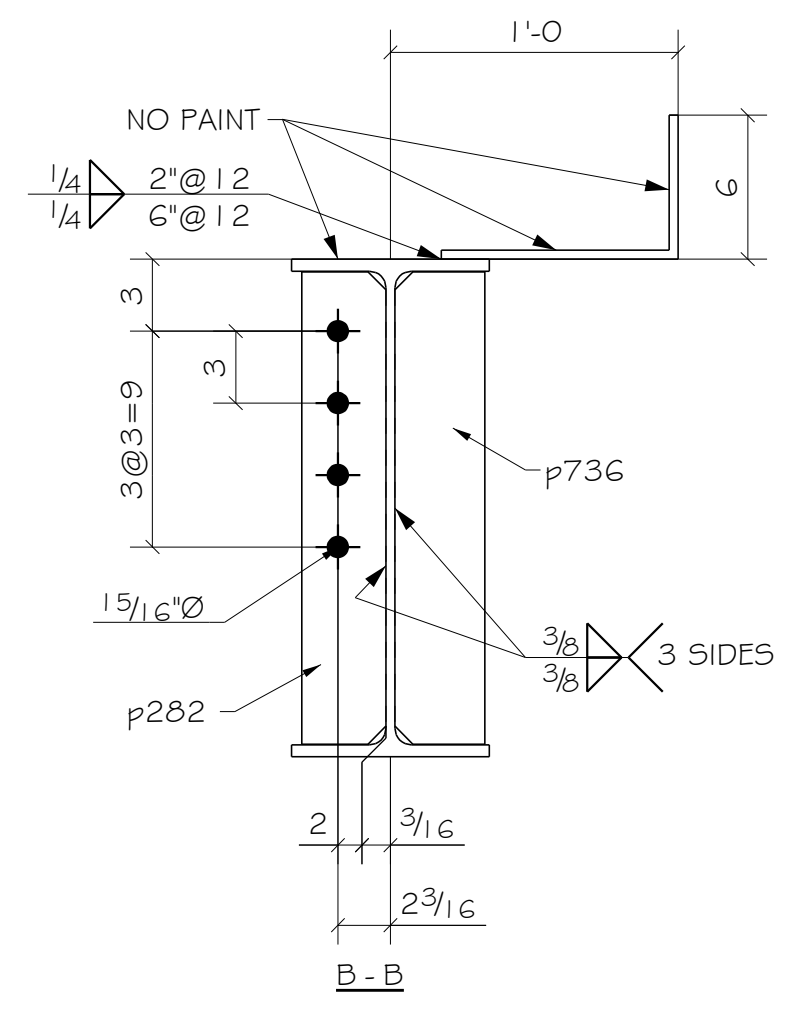
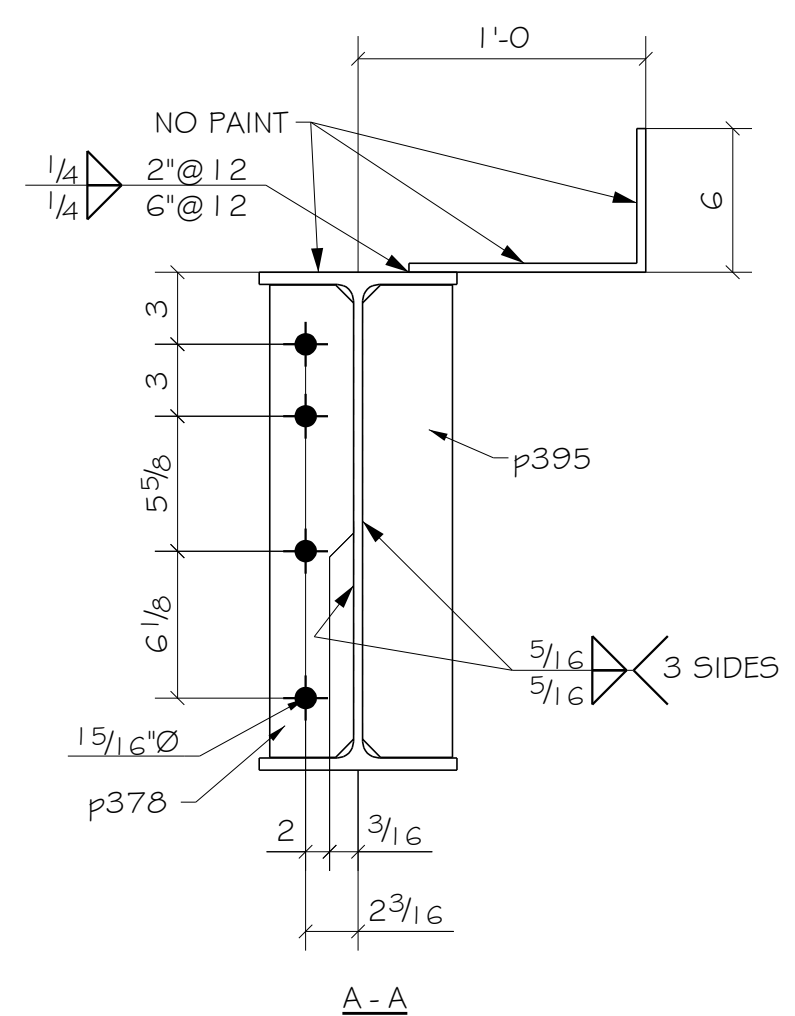
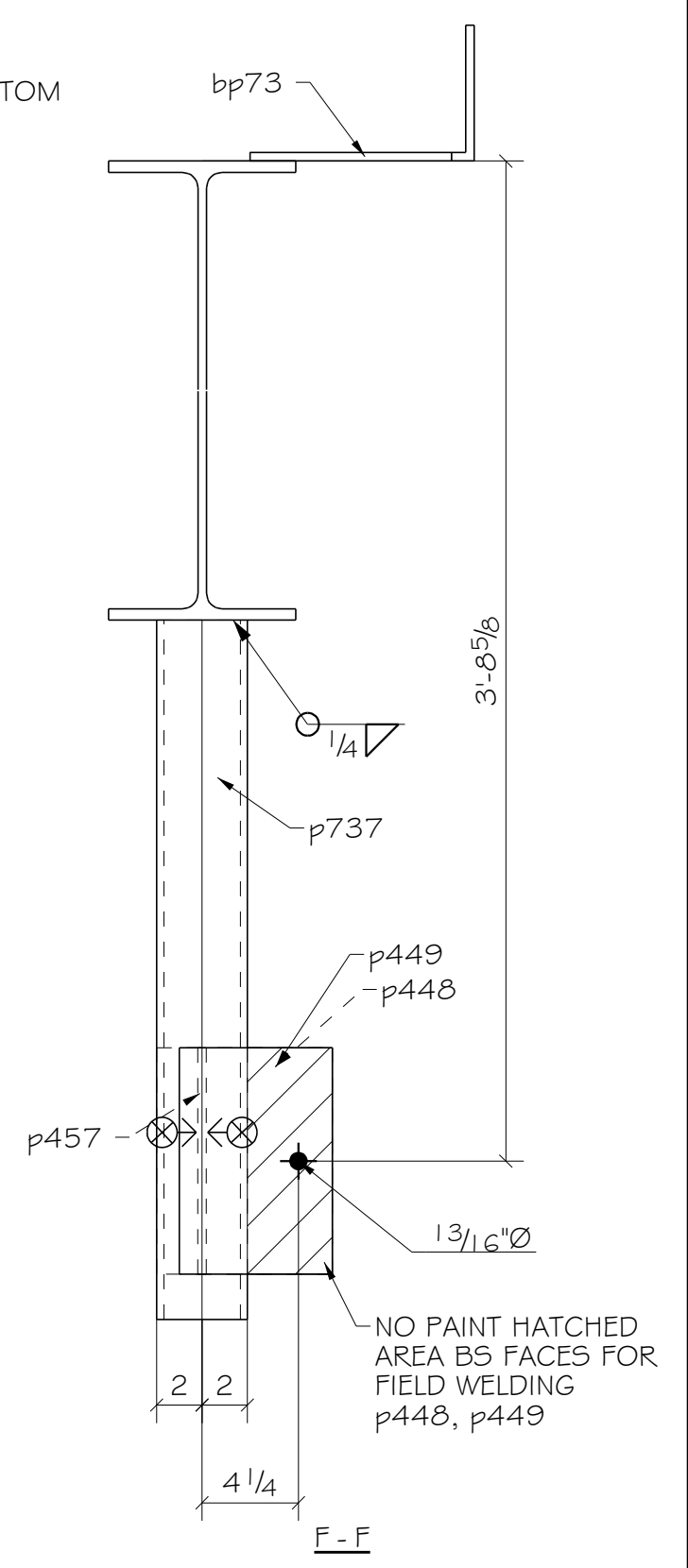
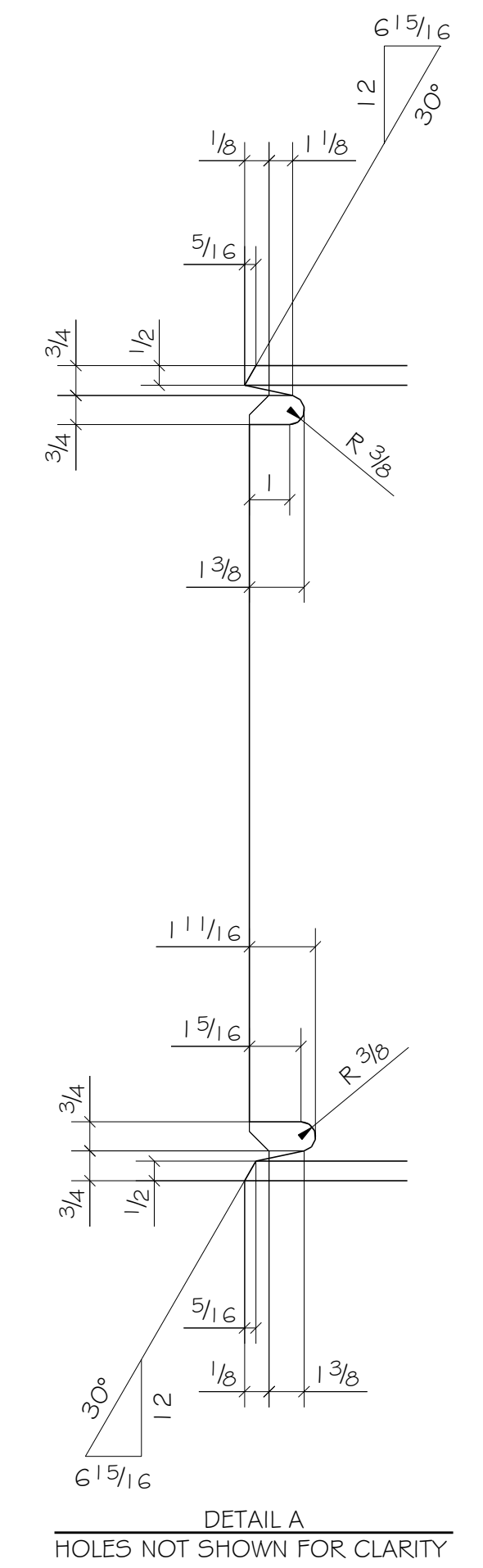
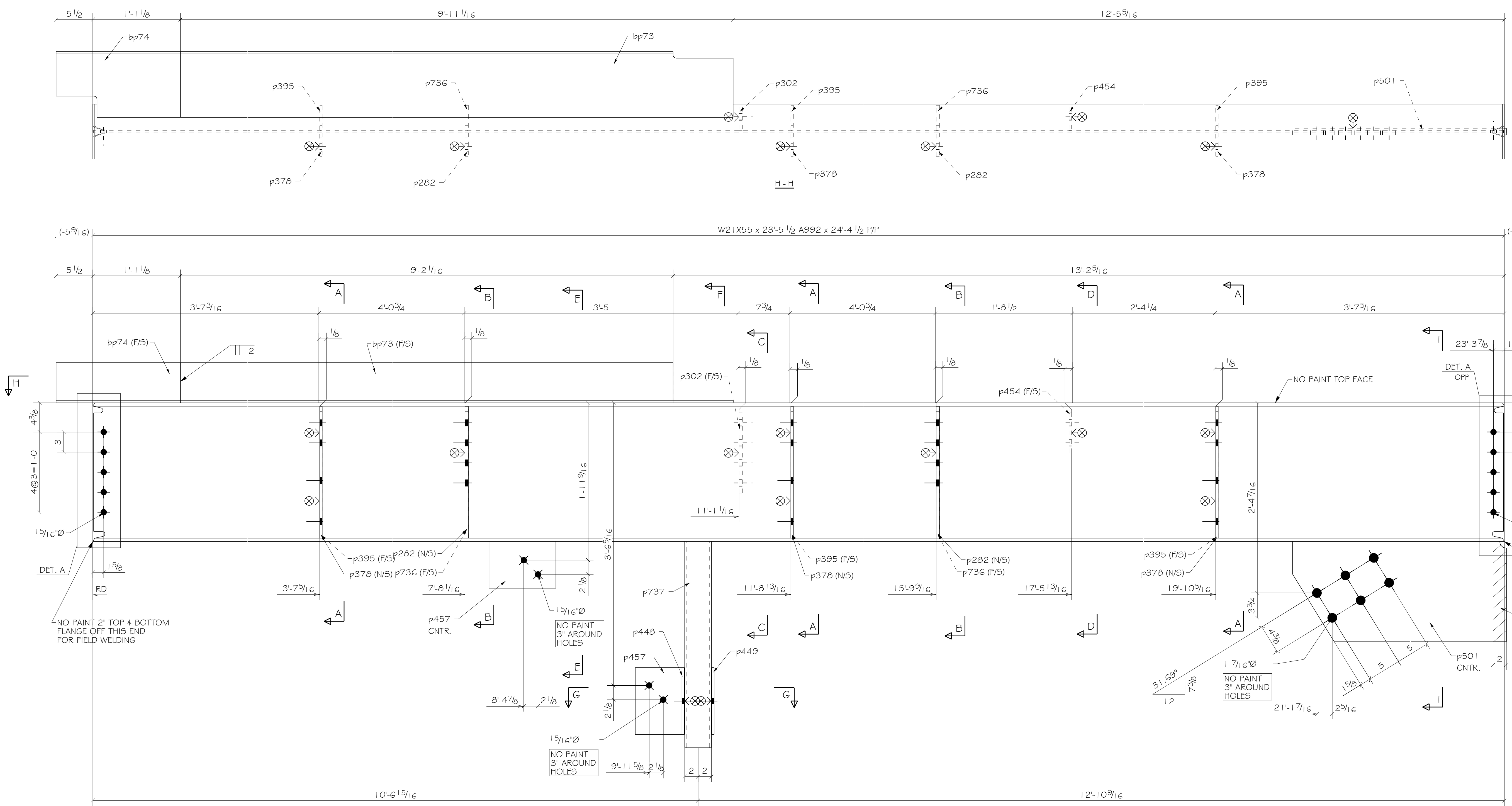


Quantity	GRID LOCATION	WORK ELEVATION
1	B083.08	29'-1"



ONE - BEAM - B35
REF: E-104, E-105, E-110, E-113, E-114

Quantity	Piece Mark	Description	Length	Weight Total	Remarks	Steel Grade
1	B35	BEAM	23'-5 1/2"	1293		A992
1	bp73	PL3/8x15 1/8	9'-11 1/16"	190	BENT	
1	bp74	PL3/8x15 1/8	1'-6 5/8"	29	BENT	
2	p282	PL1/2x3 1/2	1'-7 1/16"	19		
1	p302	PL1/2x3 1/2	1'-0"	6		
3	p376	PL3/8x3 1/2	1'-7 1/16"	22		
3	p395	PL3/8x3 3/4	1'-7 1/16"	23		
1	p448	PL3/8x7 3/4	0'-10"	8		
1	p449	PL3/8x7 3/4	0'-10"	7		
1	p454	PL3/8x3 1/2	0'-6"	2		
2	p457	PL3/8x7	0'-10"	15		
1	p501	PL1x15	2'-8"	127		
2	p736	PL1/2x3 3/4	1'-7 1/16"	21		
1	p737	HSS4X4X5/16	2'-6 7/8"	36		
10		7/8" DIA A325N BOLT	0'-2 1/4"		FIELD BOLT NUT & WASHER	

STEEL ASTM	A36	UNO	VERIFICATION OF DIMENSIONS, DETAILS AND ETC.
WELDS	E70XX	UNO	ARE REQUESTED, WHERE INDICATED, IF EACH VERIFICATION IS NOT NOTED OTHERWISE, IT WILL BE ASSUMED TO BE CORRECT AS SHOWN.
PREP.		UNO	
PAINT	ONE COAT SHOP PRIMER	UNO	
OPEN HOLES	AS-NOTED	UNO	

DATE: 06/18/2018
 REV: 1
 DESCRIPTION: BEAM
BUFFALO WELDING, INC
 3701 SE NAEF ROAD, MILWAUKIE, OR 97268
 (503) 794-8180
 PROJECT NAME: DEJARDIN ADDITION AND TRANSIT CENTER
 LOCATION: 19600 MOLALLA AVE, OREGON CITY, OR 97045
 CONTRACTOR: LEASE CRUTCHER LEWIS
 ENGINEER: CATENA
 DETAILER: PB STEEL DETAILING, INC
 JOB NO: CCC DEJARDIN
 DRAWN BY: AH
 ENG NO: B35